

PI COLLECTION

Harrows

CRAFTED FOR CONNECTION

HARROWS.CO.NZ

Crafted for
connection.



Introducing Pi

Pi is a collection of solid timber tables and leaners. The unique "Pi" edge profile gives this collection a stand-out quality. The stunning beauty of solid timber with the natural ash grains bring life and warmth to a space, with the contoured edge profile adding a real point of difference.

Make a statement with your restaurant, cafeteria or collaborative furniture through the strength and resilience of solid timber furniture. Designed and manufactured by Harrows in New Zealand.







Cultivating
meaningful
relationships,
enriching every
shared moment.

Pi Edge

The Pi design features stunning edge detailing that draws the eye and adds a distinctive point of interest to any setting.

Solid American Ash

Crafted entirely from solid American Ash, Pi showcases the natural beauty and strength of this premium material.

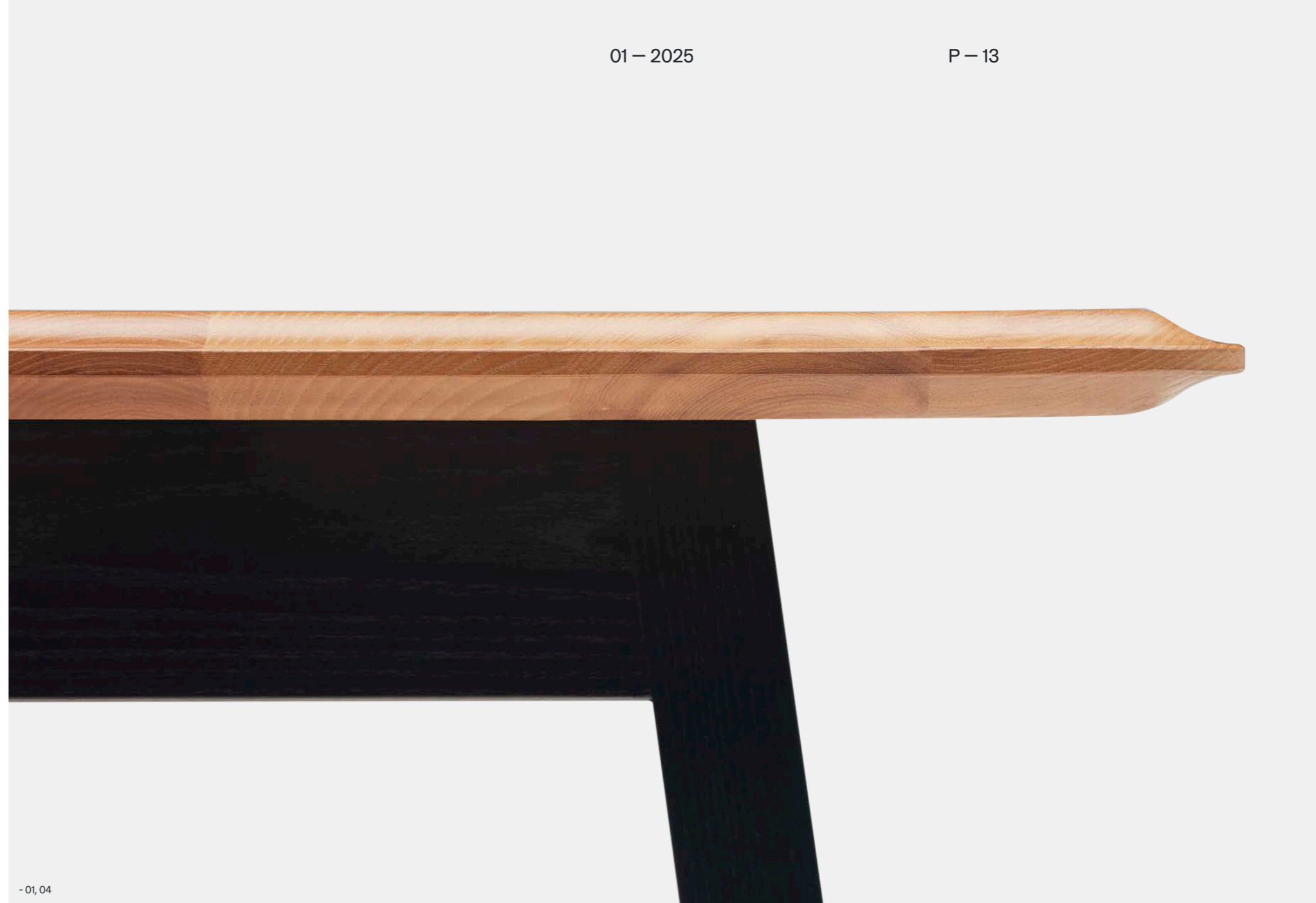


Finishing

Crafted in solid American Ash, Pi can be stained in any colour to complement your space, allowing you to mix or match the top and frame for a cohesive or contrasting look.

Leaner + Table

Pi offers versatile options with a table height of 740mm or a leaner height of 1050mm, making it adaptable to various spaces and uses.



- 01, 04

Key Features

- 01 Beautiful edge detailing of the Pi Collection
- 02 Solid American Ash top and frame
- 03 Round top options available
- 04 Mix and match top and frame stain colours



- 02

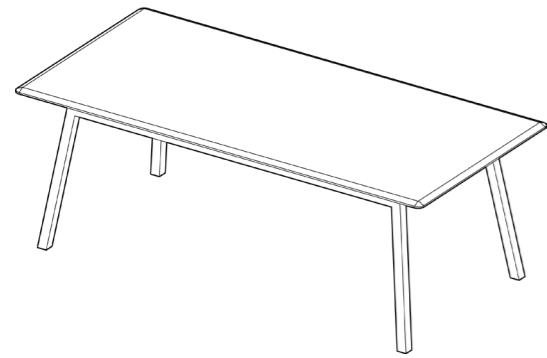


- 02/ 04

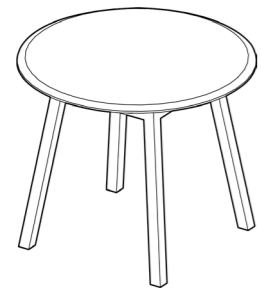


- 03, 04

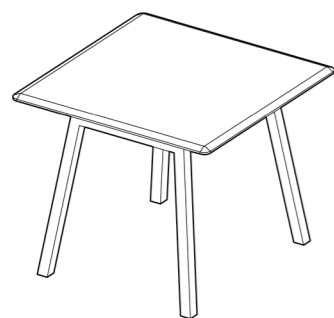
Pi Table



Rectangle
1200 | 2400 | 2700 | 3000
1000 | 1200w
750h

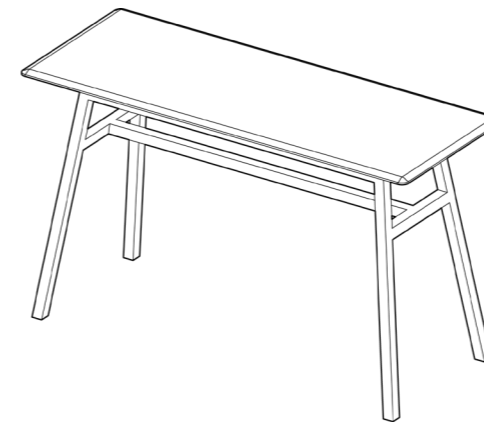


Round
900 | 1000Ø
750h

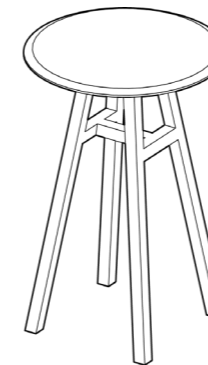


Square
800 x 800 | 900 x 900 | 1000 x 1000
750h

Pi Leaner



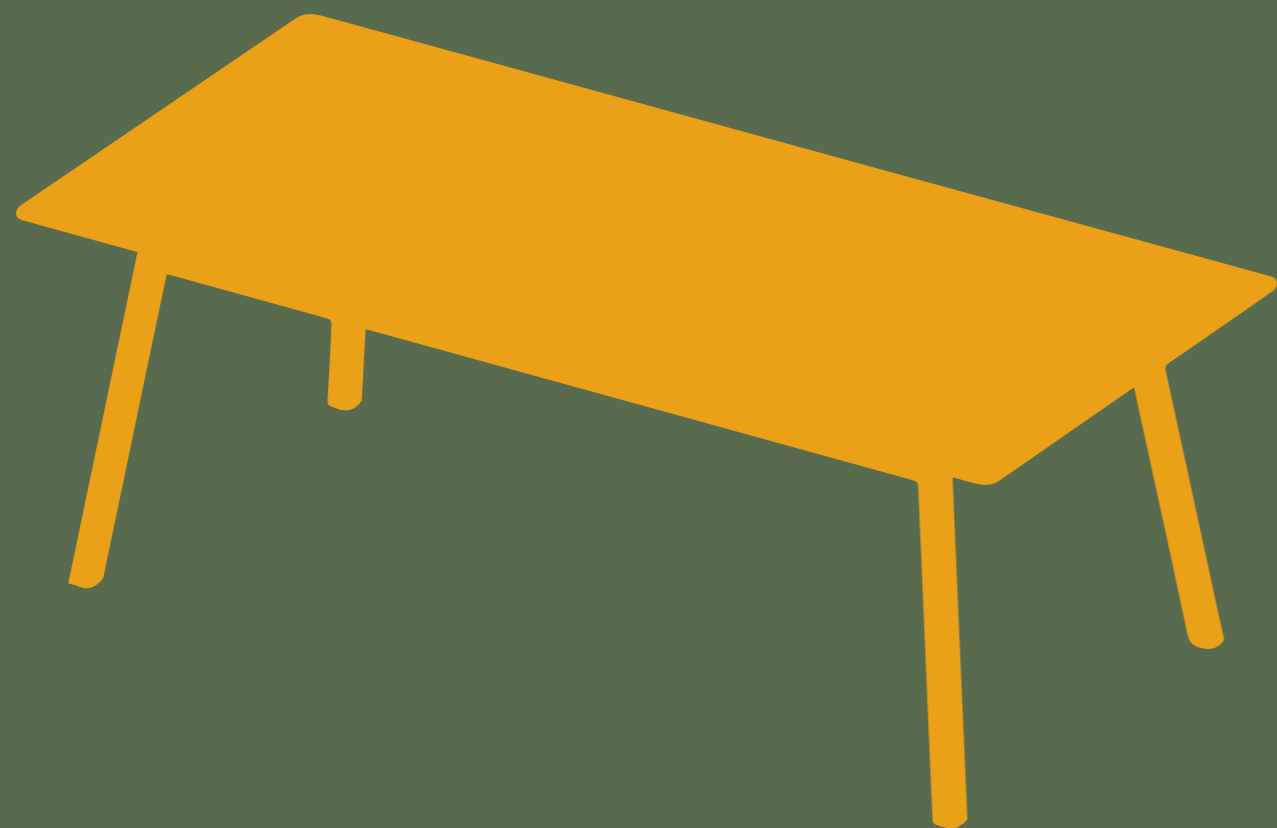
Rectangle
1800 | 2100 | 2400 | 2700
700w
1050h



Round
700Ø
1050h



Square
700 x 700 | 800 x 800
1050h



Key Features

- 01
Designed in NZ, made in NZ
- 02
Solid timber with Global GreenTagCert™
GreenRate Level C
- 03
Stained in your choice of colour
- 04
Pi Collection includes leaners

Pi



The unique "Pi" edge profile gives this dining table its stand-out quality. The stunning beauty of solid timber with the natural ash grains bring life and warmth to a space, allowing it to blur the lines between hospitality and commercial environments.

<u>Made from</u>	Solid American Ash
<u>Finishes</u>	Stained any standard colour Custom finishes available on request
<u>Standard sizes</u>	2100 / 2400 / 2700 / 3000 x 1000 2100 / 2400 / 2700 / 3000 x 1200 750h Additional sizes available on request
<u>Edge Profile</u>	Pi as standard
<u>Application</u>	Indoor use
<u>Warranty</u>	5 year commercial warranty
<u>Lead time</u>	Made to order - 4 to 6 weeks
<u>Origin</u>	New Zealand
<u>Designer</u>	Harrows
<u>Certification</u>	Global GreenTagCert™ GreenRate Level C GreenTagPHD™ PlatinumHEALTH™ & HealthRATE™ Declaration™



Key Features

- 01
Designed in NZ, made in NZ
- 02
Solid timber with Global GreenTagCert™
GreenRate Level C
- 03
Stained in your choice of colour
- 04
Pi Collection includes leaners + tables



The unique "Pi" edge profile gives this cafe table its stand-out quality. The stunning beauty of solid timber with the natural ash grains bring life and warmth to a space, with the contoured edge profile adding a real point of difference.

<u>Made from</u>	Solid American Ash
<u>Finishes</u>	Stained any standard colour Custom finishes available on request
<u>Standard sizes</u>	900 / 1000Ø 800 x 800 / 900 x 900 / 1000 x 1000 750h Additional sizes available on request
<u>Application</u>	Indoor use
<u>Warranty</u>	5 year commercial warranty
<u>Lead time</u>	Made to order - 4 to 6 weeks
<u>Origin</u>	New Zealand
<u>Designer</u>	Harrows
<u>Certification</u>	Global GreenTagCert™ GreenRate Level C GreenTagPHD™ PlatinumHEALTH™ & HealthRATE™ Declaration™



Key Features

- 01
Designed in NZ, made in NZ
- 02
Solid timber with Global GreenTagCert™
GreenRate Level C
- 03
Stained in your choice of colour
- 04
Pi Collection includes bar leaners + tables



With its stunning edge profile and solid timber construction the Pi Leaner will make a unique statement in any hospitality or commercial interior. A leaner with intrigue, the beautiful edge detailing adds a point of interest for this conversational piece.

<u>Made from</u>	Solid American Ash
<u>Finishes</u>	Stained any standard colour Custom finishes available on request
<u>Standard sizes</u>	1800 / 2100 / 2400 / 2700 x 700 1050h Additional sizes available on request
<u>Application</u>	Indoor use
<u>Warranty</u>	5 year commercial warranty
<u>Lead time</u>	Made to order - 4 to 6 weeks
<u>Origin</u>	New Zealand
<u>Designer</u>	Harrow's
<u>Certification</u>	Global GreenTagCert™ GreenRate Level C GreenTagPHD™ PlatinumHEALTH™ & HealthRATE™ Declaration™



Key Features

- 01
Designed in NZ, made in NZ
- 02
Solid timber with Global GreenTagCert™
GreenRate Level C
- 03
Stained in your choice of colour
- 04
Pi Collection includes leaners + tables



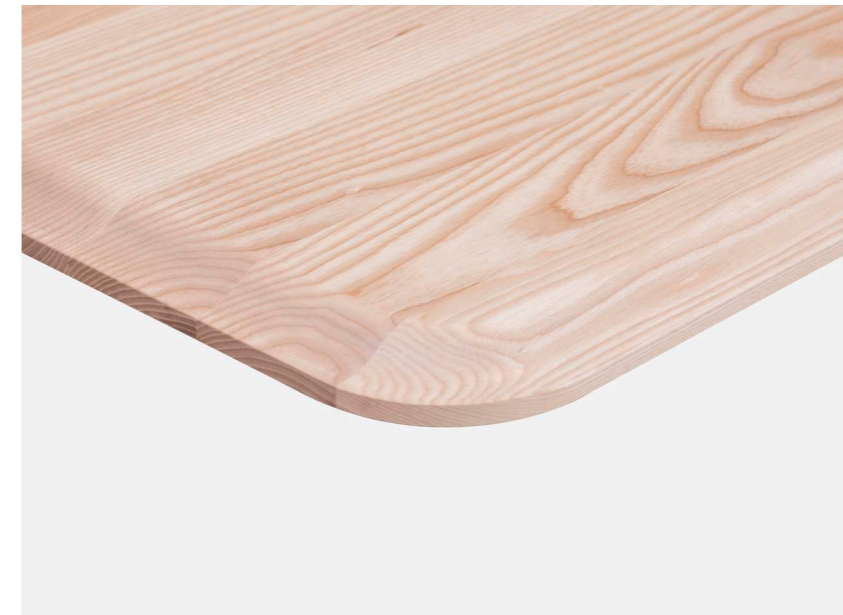
With its stunning edge profile and solid timber construction the Pi Bar Leaner will make a unique statement in any interior. A bar leaner with intrigue, the beautiful edge detailing adds a point of interest for this conversational piece.

<u>Made from</u>	Solid American Ash
<u>Finishes</u>	Stained any standard colour Custom finishes available on request
<u>Standard sizes</u>	700Ø 700 x 700 800 x 800 1050h Additional sizes available on request
<u>Application</u>	Indoor use
<u>Warranty</u>	5 year commercial warranty
<u>Lead time</u>	Made to order - 4 to 6 weeks
<u>Origin</u>	New Zealand
<u>Designer</u>	Harrowes
<u>Certification</u>	Global GreenTagCert™ GreenRate Level C GreenTagPHD™ PlatinumHEALTH™ & HealthRATE™ Declaration™



Key Features

- 01
Solid timber with Global GreenTagCert™
GreenRate Level C
- 02
Stain in colour of choice
- 03
Unique edge profile detail
- 04
Pi Collection includes leaners + tables



A solid American Ash top showcasing the natural timber grain and a strikingly unique edge profile. The sophisticated lines of the Pi Table Top accentuate the beauty of the solid timber and make a bold design statement. Combined with the hard wearing characteristics of ash, it makes the ideal timber table top for hospitality and commercial environments.

<u>Made from</u>	Solid American Ash 32mm
<u>Finishes</u>	Stained any standard colour
<u>Standard sizes</u>	700 / 800Ø 600 / 700 x 700 600 / 800 / 1200 x 800 Additional sizes available on request
<u>Edge Profile</u>	Pi as standard
<u>Application</u>	Indoor use
<u>Warranty</u>	5 year commercial warranty
<u>Lead time</u>	Made to order - 4 to 6 weeks
<u>Origin</u>	New Zealand
<u>Designer</u>	Harrows
<u>Certification</u>	Global GreenTagCert™ GreenRate Level C GreenTagPHD™ PlatinumHEALTH™ & HealthRATE™ Declaration™



Made for life.

The Pi Collection carries GreenRate™ Level C certification and PlatinumHEALTH™ HealthRATE™ certifications under the Global GreenTag International Product Health Declaration™ (GreenTag PHD™) program.

In the Green Star® NZ program Level C carries 50% of the credit points. The GreenTag PHD is recognised by WELL™ and LEED®.





Life is built on the interaction of people. We fill spaces with thoughtfully crafted furniture to facilitate these interactions.

Let's talk.

0800 142 233
SALES@HARROWS.CO.NZ

AUCKLAND EXPERIENCE CENTRE
ORANGE CORONATION HALL
GROUND FLOOR 147 NEWTON ROAD
EDEN TERRACE – AUCKLAND

HEAD OFFICE & MFG.
31 - 33 REDRUTH STREET
PO BOX 3023 – TIMARU

